

PixController, Inc.
Wireless Switch Sensor

For Normally Open (NO) and Normally Closed (NC) Sensors

Model: SEN-410

Pix™
CONTROLLER



User's Manual

Version 1.00

WARRANTY REGISTRATION

PixController, Inc. warrants products sold by it and guarantees to correct, by repair or replacement at our option, any defects of material and workmanship which develop under normal and proper use within six (6) months from the date of the original purchase when inspection proves the fault to be of manufacturing. Some circuit board components only receive a twelve (12) month warranty. All such Products must be returned to our service center.

This warranty does not apply to any of our Products which have been repaired or altered by unauthorized persons or service centers in any way so as, in our judgment, to injure their stability or reliability, or which have been subject to misuse, negligence, or accident or which have had their serial number altered, effaced or removed.

We will not assume any expense or liability for repairs made by other parties without our written consent. PixController, Inc is not responsible for damage to any associated equipment or apparatus, nor shall we be held liable for loss of profit or other special damages. There is no other guarantee or warranty except as herein stated.

Returns for any unaffected products are permitted within 14 days from the date of receipt of merchandise. After such time, items will incur a 15% restocking fee. Returns of wrong ordered items are allowed. Returned merchandise will be accepted only if all conditions are met.

In no event shall PixController, Inc. be liable for any incidental, special, indirect or consequential damages, whether resulting from the use, misuse, or inability to use this product or from defects in this product. The Buyer is not permitted to tamper or remove any of the Raptor System electronics without voiding this warranty.

The Buyer, his employees, or others assumes all risks and liabilities for the operation, the use and the misuse of the product described herein and agree to defend and to save the seller harmless from any and all claims arising from any cause whatsoever, including seller's negligence for personal injury incurred in connection with the use of the said product. PixController, Inc reserves the right to discontinue models at any time or change specifications, price or design without notice and without incurring any obligation.

The express warranties are in lieu of all other warranties, guarantees, promises, affirmations, or representations, express or implied which would be deemed applicable to the goods sold hereunder. No express warranties and no implied warranties, whether of merchantability, fitness for any particular use or purpose, against infringement, or otherwise (except as to title) other than those expressly set forth herein, shall apply.

FOR REPAIR CONTACT

PixController, Inc.
1056 Corporate Lane
Export, PA 15632
Phone: 724-733-0970
Fax: 724-733-0860

Email: support@pixcontroller.com
Web : <http://www.pixcontroller.com>

Table of Contents

1. Warranty Information
2. Wireless Switch Sensor Overview
3. Wireless Switch Sensor Specs
4. Removing and Replacing the Battery
5. Powering on the Wireless Switch Sensor
6. Programming the Wireless Switch Sensor DIP Switches
 - 6.1 Powering On/Off the Wireless Sensor
 - 6.2 Setting the Wireless Sensor Address
 - 6.3 Setting Range-Test Mode
 - 6.4 Adjusting the Digital PIR Sensitivity
7. Wireless Switch Sensor Mounting Options
8. Connecting Sensors
 - 8.1 Wiring Normally Open Sensors
 - 8.2 Wiring Normally Closed Sensors

2. Wireless Switch Sensor Overview

The wireless switch sensor is an advanced detection system which can function with any normally open (NO) or normally closed (NC) contact type sensors. These sensors can include normally closed sensors such as magnetic door sensors or normally open sensors such as pressure pad sensors. Please see www.pixcontroller.com for a complete list of pre-wired sensors compatible with the wireless switch sensor.

When the sensor is tripped it will send a wireless digital "trigger" command to a PixController wireless RF camera system. This includes, but not limited to the UndercoverEye™ Product line, Raptor Camera Wireless Sensor Version, DigitalEye™ RF, DVREye™ RF, Remote VideoEye™, and Sony LANC RF Systems.

The PixController wireless switch sensor incorporates advanced features such as long range low power digital RF (radio frequency) transmission between the sensor and receiving camera unit. This ensures RF transmission through thick foliage for outdoor applications and walls for indoor applications. The wireless sensor can be setup to transmit four unique digital address codes.

The electronics were designed to be extremely battery efficient. Using 3 standard AAA alkaline batteries the sensor can be used in the field up to one year with standard use.

The small packaging of the wireless sensor makes it ideal for covert applications. Only the front portion of the sensor needs to be exposed. The sensor housing is made from rugged PVC plastic which is completely weather proof. There is a 1/4-20" mounting hole on the bottom of the sensor which can be used with standard bullet camera-type tri pod mounts.

Note: Any PixController RF wireless sensor camera system can function with the PixController Wireless Digital PIR Sensor. Products sold before September 15, 2011 will need to have a crystal changed on the RF receiver electronics. These products can be shipped back to PixController, Inc. to have the crystal replaced. Please contact us for more information.

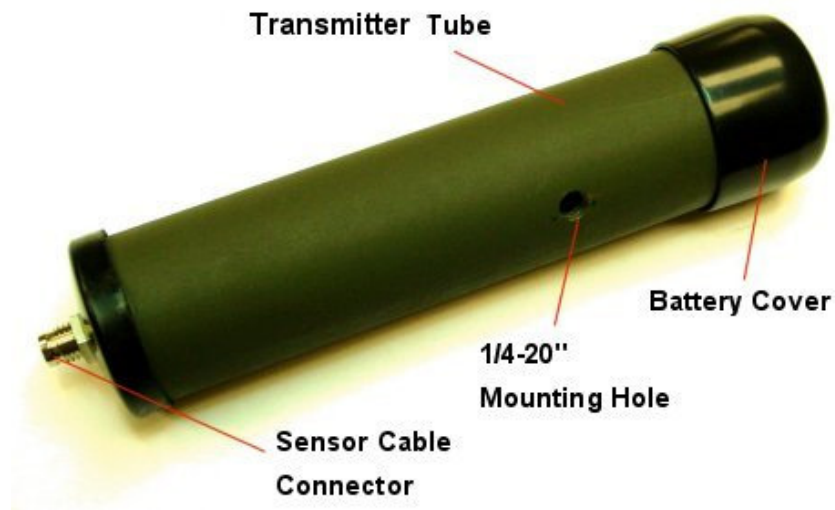


Figure 1: Wireless Switch Sensor Parts

3. Wireless Switch Sensor Specs

- Size: 6.0" X 1.30"
- Battery: 3 AAA
- Battery Life: ~1 Year
- Current Draw: 107uA (Sleep Mode), 4mA (Transmit Mode)
- RF Frequency: 315MHz
- RF Range: ~100' depending on terrain and obstructions
- Integrated RF Antenna
- Stainless Steel Sensor Cable Connector
- 16' Sensor Cable with 3 Sensor Contact Wiring Leads
- 1/4"-20 Screw Mounting Hole
- 4 Adjustable Digital Sensor Address Settings via DIP Switch
- Power on/off via DIP Switch
- LED indicator for testing battery, walk-test, and range-test modes.
- Rugged PVC Waterproof Housing

4. Removing and Replacing the Battery

To remove or replace the battery in the wireless sensor unit simply pull off the rubber battery cover located at the rear of the sensor. A 3 AAA battery holder will slide out. Removing the battery will be necessary to power the unit on/off, change DIP switch programming settings, and replacing the batteries.

Figure 2 shows how the battery cover and battery is removed, and Figure 3 shows the DIP switches inside of the sensor tube.

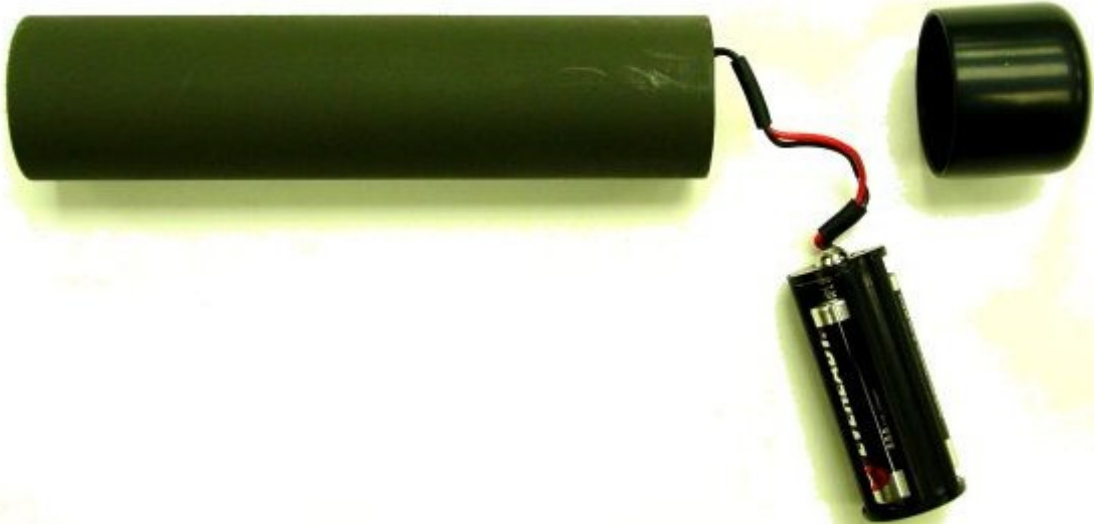


Figure 2: Replacing/Removing Battery

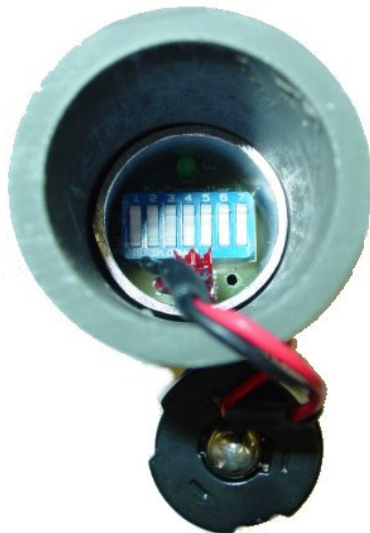


Figure 3: Digital PIR Sensor DIP Switch & LED

5. Powering on the Wireless Switch Sensor

To power the wireless sensor on you must first remove the battery cover and battery holder from the sensor tube as shown above. Using a small screw driver such as a jewelers screw driver press on switch 1 on the DIP switches as shown in Figure 4. The switches are rocker type switches and you will need to press switch 1 at the top of the switch.

When the sensor is powered on you will notice the LED turn on and blink 5 times. This will let you know that the wireless sensor is going into a 1-minute walk-test mode. If you place your hand in front of the sensor the LED will blink giving you feedback that the PIR sensor is functioning. After 1 minute has expired the LED will blink 5 more times and exit walk-test mode. From this point on there will be no LED activity, but the sensor is armed and active.

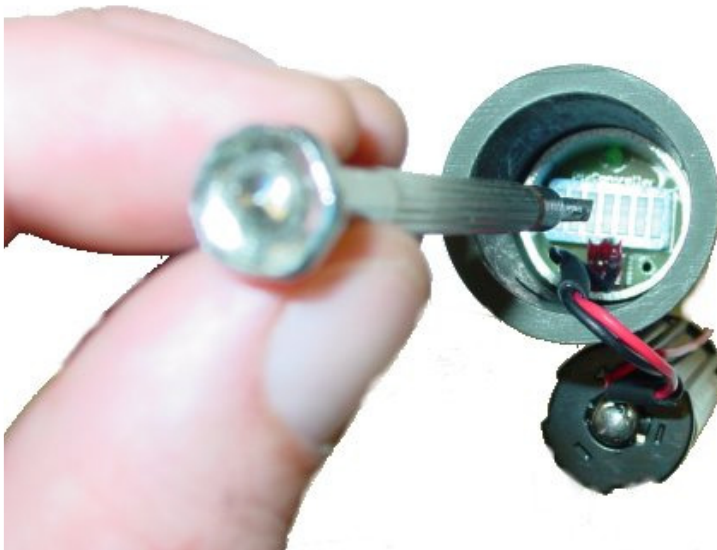


Figure 4: Adjusting DIP Switch Settings

6. Programming the Wireless Switch Sensor DIP Switches

The wireless sensor can easily be programmed by adjusting the small switches on the “DIP Switch” (see Figure 5). The sensor is powered on/off by the DIP Switch, and you can also adjust the wireless sensor address and PIR detection sensitivity.

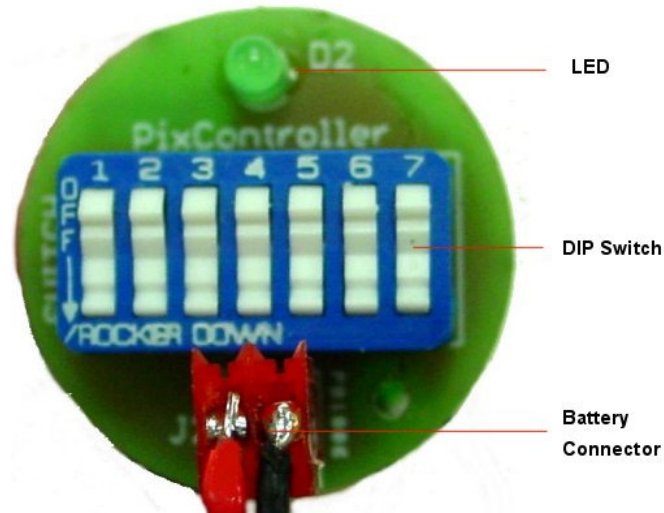


Figure 5: DIP Switch

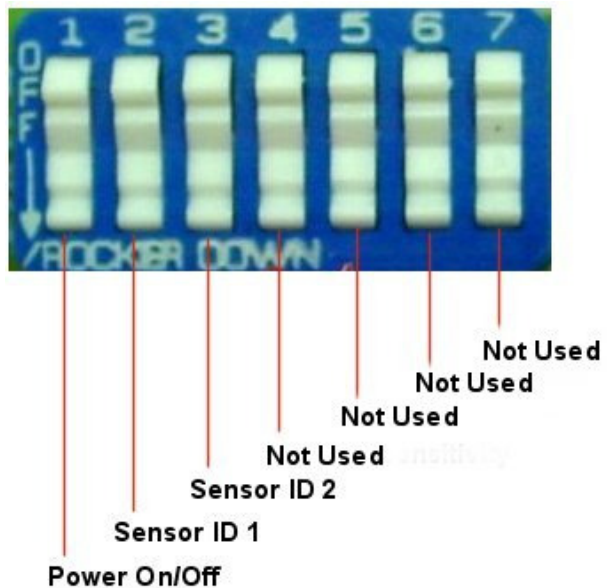


Figure 5a: DIP Switch Functions

6.1 Powering On/Off the Wireless Sensor

Switch 1 will power on/off the wireless PIR sensor unit. Putting the switch in the down position will turn the sensor off, and putting the sensor in the up position will turn the sensor on. When the sensor is turned on the LED will blink 5 times.

The default setting is all switches down (2 – 7), assuming switch 1 is “on” for sensor in operation mode. The sensor is shipped with the PIR sensitivity programmed in medium sensitivity mode.

6.2 Setting the Wireless Sensor Address

The wireless PIR sensor can be set to send out 4 different address codes (A through D). DIP switches 2 & 3 are used to set the sensor address. Setting the sensor address code is useful when using multiple sensors with multiple camera units. Camera units can be set to respond to certain sensor addresses.

Sensor Address	Switch 2	Switch 3
Address A	Down	Down
Address B	Down	Up
Address C	Up	Down
Address D	Up	Up

Note: When changing the sensor address you will need to power the sensor off and back on to take effect.

6.3 Setting Range-Test Mode

Range-Test mode puts the sensor into a mode where it will send out trigger commands on 2-second intervals. In this mode the PIR sensor is inactive. This mode is used to set the range between the wireless PIR sensor and the receiving unit.

To set Range-Test mode start with the wireless sensor in the power down state. Turn DIP switches 2 and 3 into the down “off” position. Next, power the sensor on by turning switch 1 into up “on” position. Wait for the LED to blink 5 times. Next, move switches 2 and 3 into the up “on” position. The wireless sensor is now in Range-Test mode.

To take the wireless sensor out of Range-Test mode power the sensor down by turning switch 1 into the “off” position then turning switch 2 and 3 into the “off” position.

7. Wireless Switch Sensor Mounting Options

There are several mounting options for the wireless sensor. There is a 1/4-20" mounting hole on the bottom of the sensor which can be used with bullet camera tri pod mounts. The sensor can also be placed on the ground, but keep in mind that elevating the sensor will increase PIR detection range and range between the wireless sensor and recording electronics.



Figure 6: Using Bullet Camera Tri Pod Mounts

8. Connecting Sensors

The Wireless Switch Sensors can use an array of sensors such as magnetic door/windows sensors, pressure pad sensors, vibration sensors which are triggered by switch contacts that open or close.

The Wireless Switch Sensor includes an interface cable which can be connected to these types of sensors. These sensors can be NO (Normally Open) or NC (Normally Closed) types sensors. The Wireless Switch Sensor will automatically detect which type of sensor is attached by following the proper wiring procedures.



Wireless Switch Sensor Cable Ends

The end of the Switch Sensor Cable consists of a Brown, Black, and Blue wires to wire to your sensor. The following wiring procedure should be followed for the following sensor types.

8.1 Wiring Normally Open Sensors

Normally open sensor such as Pressure Pads or Vibrations sensors are triggered by a switch closure when activated. They are “normally open” contacts when not triggered.

To wire the “normally open” sensor to the Wireless Switch Sensor Cable Connect:

Sensor Contact 1: **Brown and Black Wires**
Sensor Contact 2: **Blue Wire**

8.2 Wiring Normally Closed Sensors

Normally closed sensor such as Magnetic Door/Window sensors are triggered by a switch opening when activated. They are “normally closed” contacts when not triggered.

To wire the “normally closed” sensor to the Wireless Switch Sensor Cable Connect:

Sensor Contact 1: **Brown Wire**
Sensor Contact 2: **Black Wire**

Note: The **Blue Wire** is not used